

USER MANUAL

Sirofilter



99, RUE DE L'ESCALE, ST-LUDGER, QC. G0M 1W0

WWW.ELAPIERRE.COM

INFO@ELAPIERRE.COM

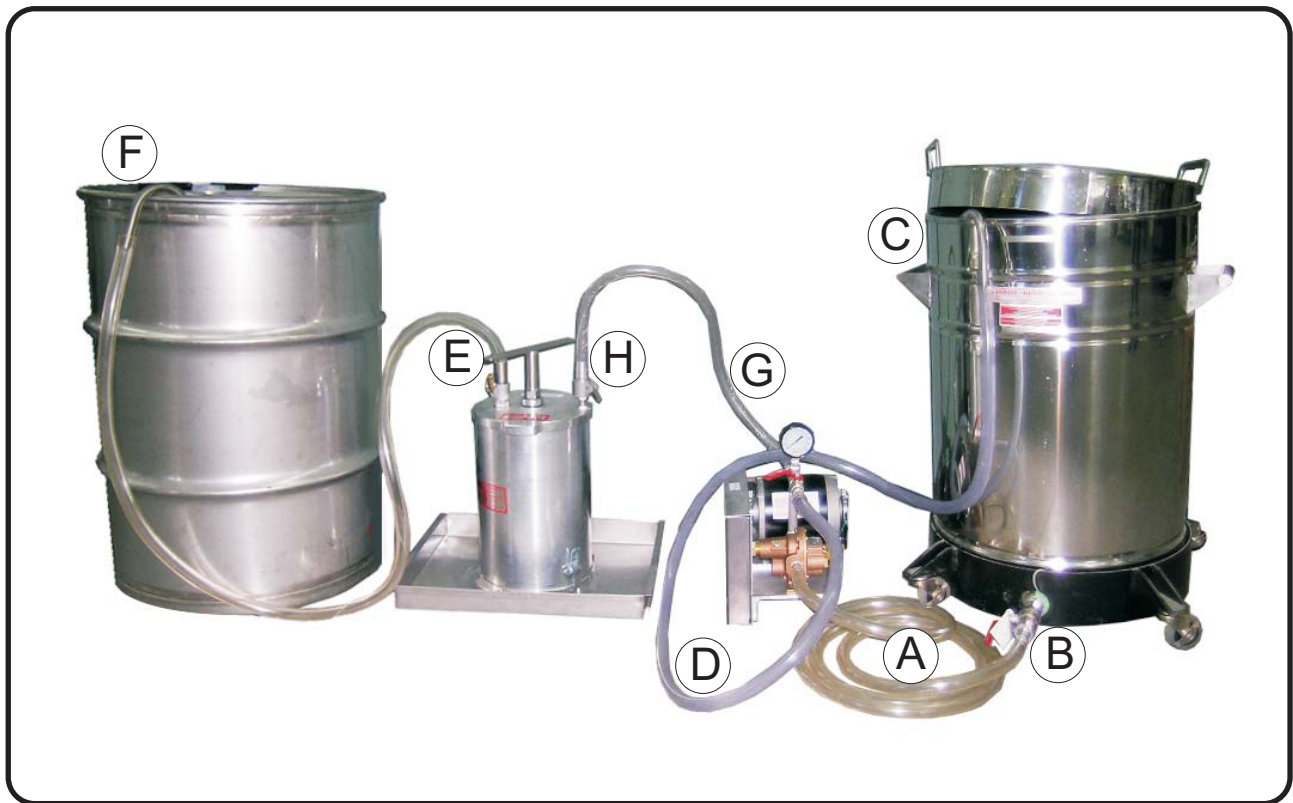
TEL 819.548.5454 - FAX 819.548.5460

CAUTION : This manual includes information and restrictions concerning these products use and restrictions in regards to the manufacturer responsibilities. Manual must be read carefully.

SIROFILTER INSTALLATION INSTRUCTIONS



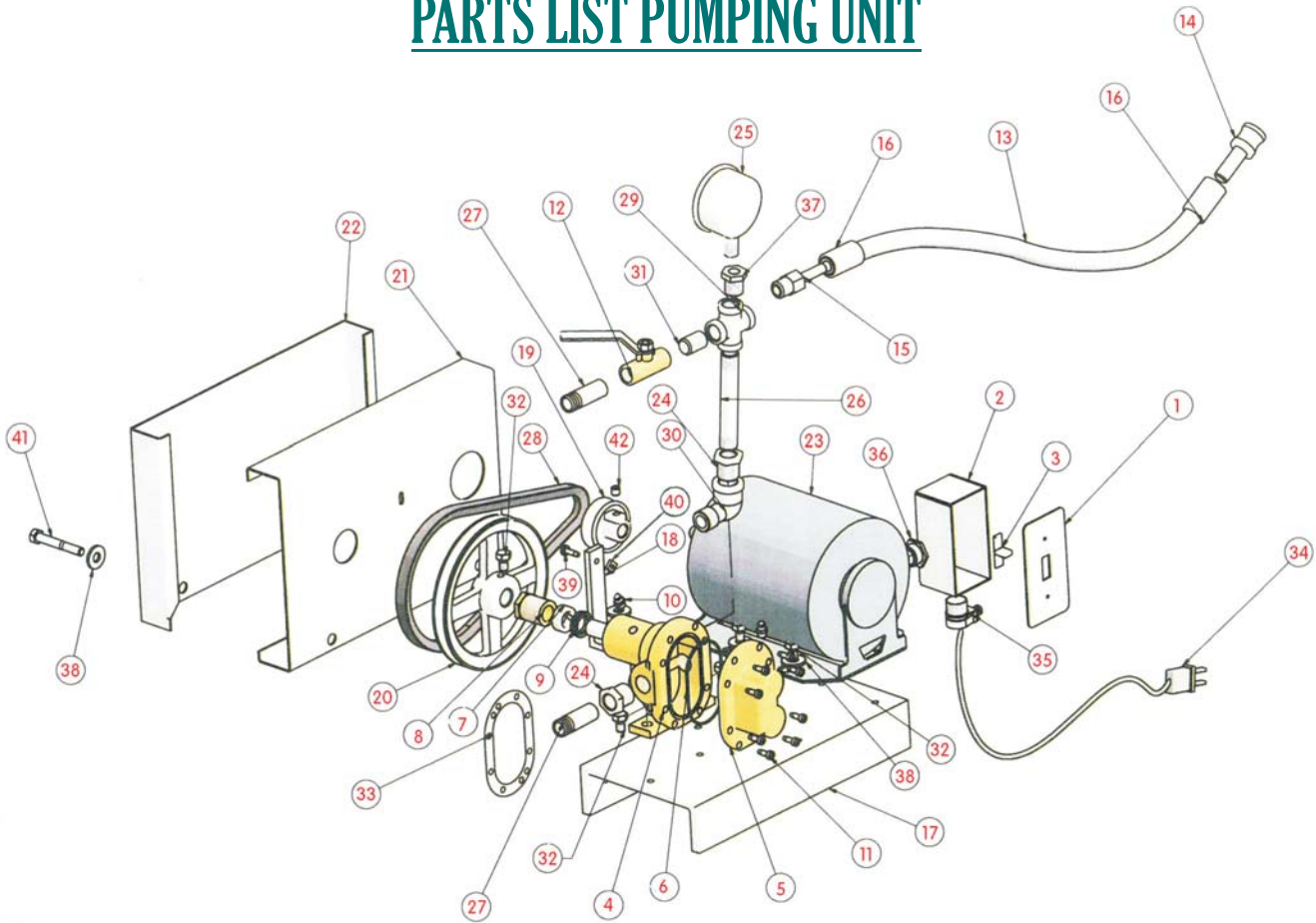
1. Connect the inlet hose (A) to the outlet of syrup tank (B).
2. Connect the bypass hose (D) into the syrup tank (C).
3. Connect the Sirofilter outlet (E) to the filtered syrup tank or barrel (F).
4. Connect the hose between the pumping unit (G) and the Sirofilter inlet (H).



NOTE

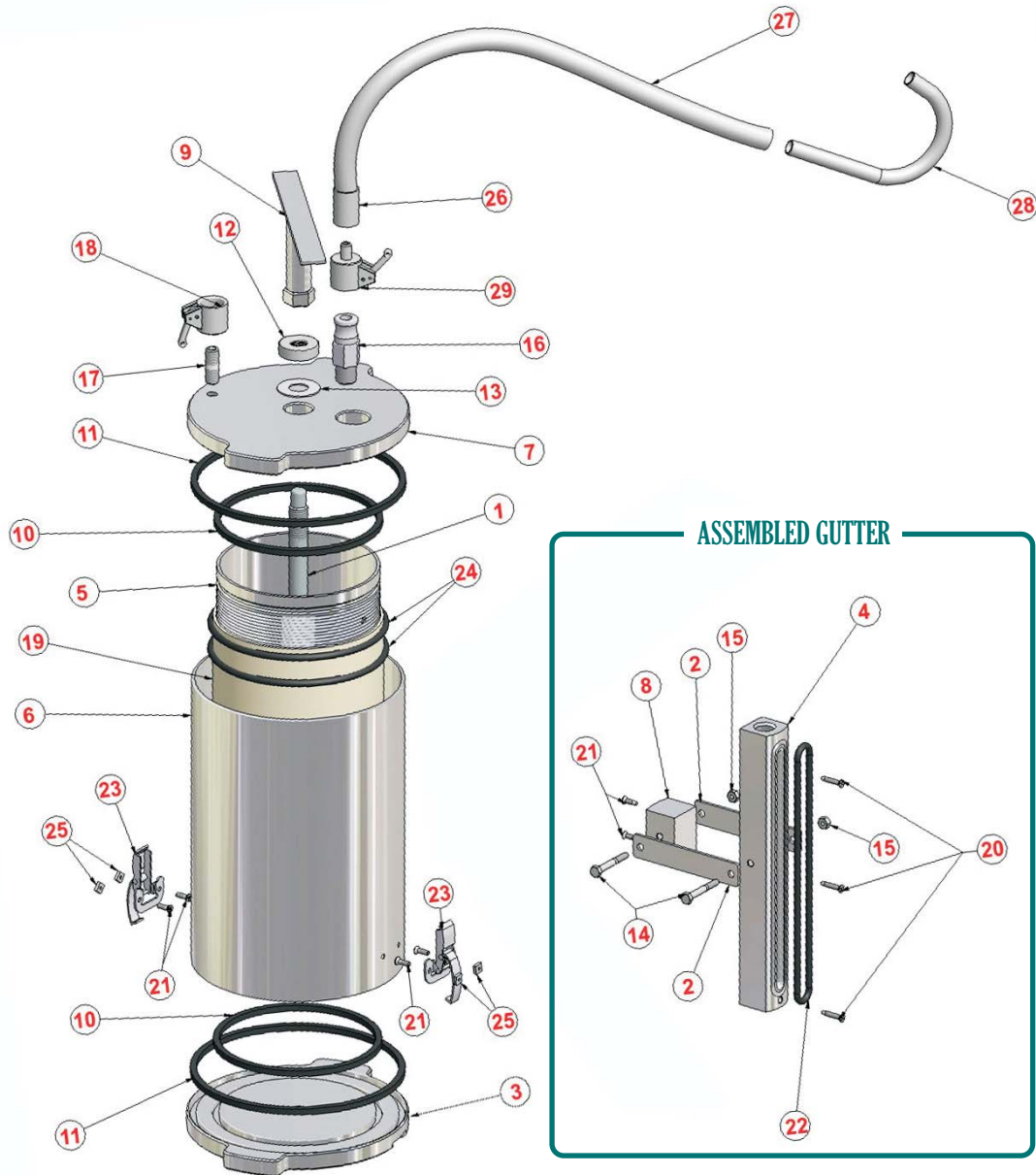


PARTS LIST PUMPING UNIT



- 7 SR300-00007XX SEALS 5227 SIROFILTER PUMP
- 10 SR300-000010XX GREASE FITTING FOR SIROFILTER
- 13 SR300-000113XX GRAY HOSE 40 " WITH ADAPTORS (STANDARD HOSE)
- 13 SR300-100113XX GREY HOSE 10' WITH ADAPTORS (OPTIONAL)
- 14 SR300-000014XX MACHINED ALUMINUM CONNECTOR 1/2" FOR SIROFILTER GREY HOSE.
- 15 SR300-000015XX ALUMINUM ADAPTOR 3/8" NPT FOR SIROFILTER GREY HOSE.
- 16 SR300-000016XX ALUMINUM SLEEVE FOR SIROFILTER GREY HOSE.
- 19 SR300-000019XX "V" PULLEY 2" X 1/2" FOR LAPIERRE GEAR PUMP BASE.
- 20 SR300-000020XX "V" PULLEY 6" X 5/8" FOR LAPIERRE GEAR PUMP BASE.
- 23 SR300-000023XX MOTOR 1/3 HP, 1725 RPM FOR SIROFILTER PUMP
- 25 DV204-010040XX GAUGE 0-100 PSI
- 28 DV208-000270XX BELT 4L 270
- 33 SR300-000033XX SEAL 5479 FOR SIROFILTER PUMP
- 34 SR300-000034XX ELECTRICAL CORD FOR GEAR PUMP

PARTS LIST SIROFILTER



- ⑤ SR200-000005AX INNER CYLINDER WITHOUT GUTTER FOR SIROFILTER 12 "
- ⑤ SR200-000005BX INNER CYLINDER WITHOUT GUTTER FOR SIROFILTER 24 "
- ⑤ SR200-000005CX INNER CYLINDER WITH GUTTER FOR SIROFILTER 12 "
- ⑤ SR200-000005DX INNER CYLINDER WITH GUTTER FOR SIROFILTER 24 "
- ⑩ DV218-000438XX 6" SQUARE "O" RING
- ⑪ DV218-000445XX 8" SQUARE "O" RING
- ⑫ DV234-445900XX BALL BEARING 4459-00
- ⑰ SR200-000016XX MACHINED ALUMINUM CONNECTOR 1/2 " FOR SIROFILTER GUTTER
- ⑱ SR200-000018XX MACHINED ALUMINUM CONNECTOR 1/2 " DRILLED 1/4" FOR SIROFILTER 12" OR 24 "





ACCESSORIES & OPTIONS

If you need to replace the pump, make sure the replacement one comes with a safety valve adjusted at 50 PSI max to avoid damaging your sirofilter

**Brass Orberdorfer
Gear Pump 3000**



**Replacement Inner Cylinder
12" & 24" with or without gutter**

**Diaphragm Pump with
or without lubricator**



Barrel Transfer

**Magikist Y51
Piston Pump**



Replacement Hoses

**PompcO Stainless
Piston Pump
-S275
-S600**



Replacement Cloth
2 x 12" 1 Micron DV400-011202XX
1 x 24" 1 Micron DV400-012401XX
2 x 12" 5 Microns DV400-001202XX
1 x 24" 5 Microns DV400-002401XX

Consumable Products



**SAE 30 Non-Detergent Oil
DV462-003001XX**



filter aid
10 lbs:DV403-000010XX
50 lbs:DV403-000050XX



**Food Grade Grease
DV455-000000XX**



**Lapierre Food Grade Oil
DV492-000030XX**

SIROFILTER OPERATING INSTRUCTIONS



Always wear insulated gloves and safety goggles when working with a Sirofilter.

1. Install a filter cloth on the inner cylinder. It can be installed damp to facilitate installation. (See filter cloth installation instructions. The filter cloth must be installed on the right side making sure there are no sags around the Velcro. Install "O rings" at both ends making sure they are sitting perfectly in the groove.
2. Close Sirofilter and connect hoses as shown in installation instructions.
3. Connect the Sirofilter output (E) to the input of syrup tank (C). Turn on the pump for 30 seconds or more to obtain a clear syrup and then turnoff.
4. Connect the sirofilter output (E) to the filtered syrup tank (F)
5. Turn on the pump and adjust bypass to 10 to 15 PSI. on the pressure gauge. (The pressure will gradually increase over time)
6. Once pressure reaches 35 to 40 PSI, it is time to clean the sirofilter.

Maximum pressure: never exceed 75 pounds of pressure.

7. To recuperate sugar contained inside the sirofilter, if you have a hot water source, re-circulate hot water through the sirofilter with pumping unit (10 gallons for the 24 inches sirofilter/5 gallons for the 12 inches sirofilter). Return that water to your sap tank.
8. To recuperate sugar contained inside the sirofilter, if you do not have a hot water source, re-circulate some hot water from the flue pan through the sirofilter with the pumping unit(5 gallons for the 24 inches sirofilter/2.5 gallons for the 12 inches sirofilter). Connect the sirofilter outlet(E) to the float box of your evaporator and turn on pumping unit. Then re-circulate water or permeate (5 gallons for the 24 inches sirofilter/2.5 gallons for the 12 inches sirofilter), and return into your sap tank.
9. Disconnect sirofilter hoses (**BE CAREFUL THEY CONTAIN HOT LIQUID**), remove the lid and takeout inner cylinder (if jammed, use extracting puller as shown on the picture). Scratch off residues from the cylinder, and rinse before installing a new filter cloth. Rinse and dry outside cylinder. (For a faster changeover, a second cylinder(optional) with a pre-installed filter cloth can be used.



10. Washed filter cloth with warm water. Let dry naturally
NEVER USE JAVEX CHLORINE OR ACID SOLUTION
Never dry filter cloth with a dryer
11. Wash all the sirofilter components in hot water. You can add a few javex drops. Rinse well.

FILTER CLOTH INSTALLATION INSTRUCTIONS

Center innercylinder on the filter cloth



Roll cloth around the cylinder making sure the velcro hooks are on top as illustrated



Make sure the "O-rings" are positioned on top of the groove

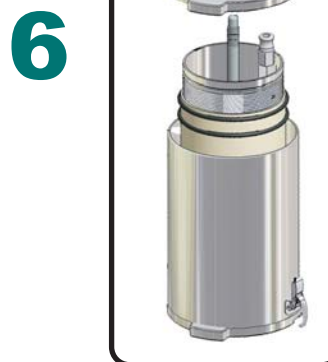


Filter cloth must be rolled perfectly and must not sag at the velcros



Never hesitate to replace "O-rings" as soon as they look worn out or stretched
Filter cloths must be replaced as soon as they look worn out. Filtration quality depends on it !

Always make sure the filter cloth does not exceed cylinder to avoid "jams" between the cylinder and the lid.



Re-assemble sirofilter in this order: Lid, washer and ball bearing.
Make sure the lid is centered and tighten the handle properly.

NOTE: It is possible to use double filter cloths. Follow above procedure but do not install "O-rings" in between the 2 filter cloths. Velcros must be installed opposite to each other and the tightest needs to go first.

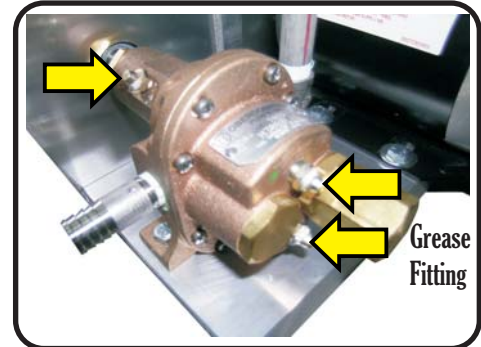
Ex: 1 micron first, 5 microns second

PUMPING UNIT MAINTENANCE



Gear Pump

At the end of each day using the pump, lubricate grease fitting (1 grease gun shot max.) while re-circulating hot water in a pail. Only food grade grease (white grease) should be used to fill the grease cups. (Available at your Lapierre dealer)



Food Grade Grease
DV455-00000XX



Pompcos Stainless Piston Pump

At the end of each day using the pump, re-circulate hot water in a pail.
Check pump oil level



SAE 30 Non-Detergent Oil
DV462-003001XX

PUMPING UNIT MAINTENANCE

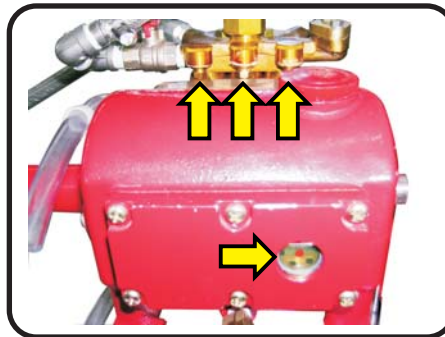
Magikist Y51P Piston Pump

At the end of each day using the pump, turn grease cups $\frac{1}{4}$ turn while re-circulating hot water in a pail.

You should also check the pump oil level. Only food grade grease (white grease) should be used to fill the grease cups. (Available at your Lapierre dealer)



Food Grade Grease
DV455-00000XX



SAE 30 Non-Detergent Oil
DV462-003001XX



With lubricator

Diaphragm Pump

At the end of each day using the pump, re-circulate hot water in a pail. Si vous n'avez pas If you don't have a lubricator on your pump (optional), put 2-3 drops of food grade pneumatic oil (Available from your Lapierre distributor) in the air inlet of the pump at the beginning of each production day.



With Regulator
& lubricator



Lapierre Food Grade Oil
DV492-000030XX



99, RUE DE L'ESCALE, ST-LUDGER, QC. G0M 1W0

WWW.ELAPIERRE.COM

INFO@ELAPIERRE.COM

TEL 819.548.5454 - FAX 819.548.5460

Revised July 2010 VERSION: 01